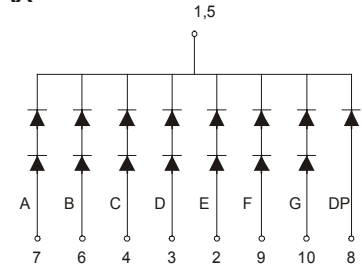
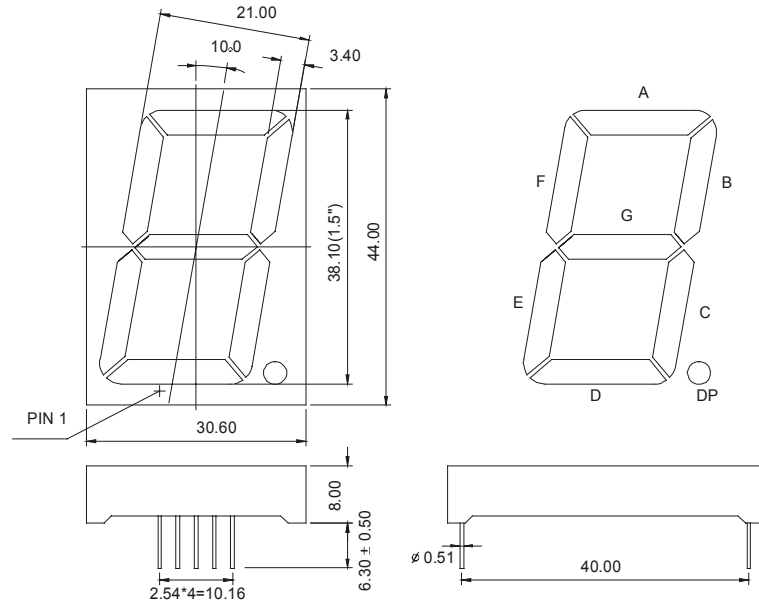




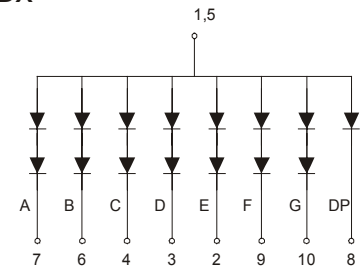
MCD-15011Ax-Bx (SINGLE DIGIT LED DISPLAY)

MCD-15011 Series

MCD-15011Ax



MCD-15011Bx



Features:

*1.5 INCH HIGH CHARACTER.

*I.C. COMPATIBLE

*EXCELLENT CHARACTER APPEARANCE.

*LOW POWER CONSUMPTION.

*COMMON CATHODE OR COMMON ANODE.

Part Number	EMITTED COLOR		Common Cathode or Common Anode	Peak Wavelength (nm)	Vf (v) Typ	If (mA)	Intensity Per Segment (mcd)	
							Min.	Typ.
MCD-15011AE	GaAsP/GaP	Hi. effi Red	Common Cathode	635	2.0	20	18	24
MCD-15011AG	GaP	Green		565	2.1	20	16	22
MCD-15011AY	GaAsP/GaP	Yellow		585	2.0	20	18	24
MCD-15011AS	GaAlAs	Super Red		660	1.8	20	20	26
MCD-15011AD	GaAlAs	Ultrs Red		660	1.8	20	50	60
MCD-15011AUE	AlGaInP	Ultra Red		625	2.0	20	60	70
MCD-15011AUY	AlGaInP	Ultra Yellow		590	2.0	20	60	70
MCD-15011BE	GaAsP/GaP	Hi. effi Red	Common Anode	635	2.0	20	18	24
MCD-15011BG	Gap	Green		565	2.1	20	16	22
MCD-15011BY	GaAsP/GaP	Yellow		585	2.0	20	18	24
MCD-15011BS	GaAlAs	Super Red		660	1.8	20	20	26
MCD-15011BD	GaAlAs	Ultrs Red		660	1.8	20	50	60
MCD-15011BUE	AlGaInP	Ultra Red		625	2.0	20	60	70
MCD-15011BUY	AlGaInP	Ultra Yellow		590	2.0	20	60	70